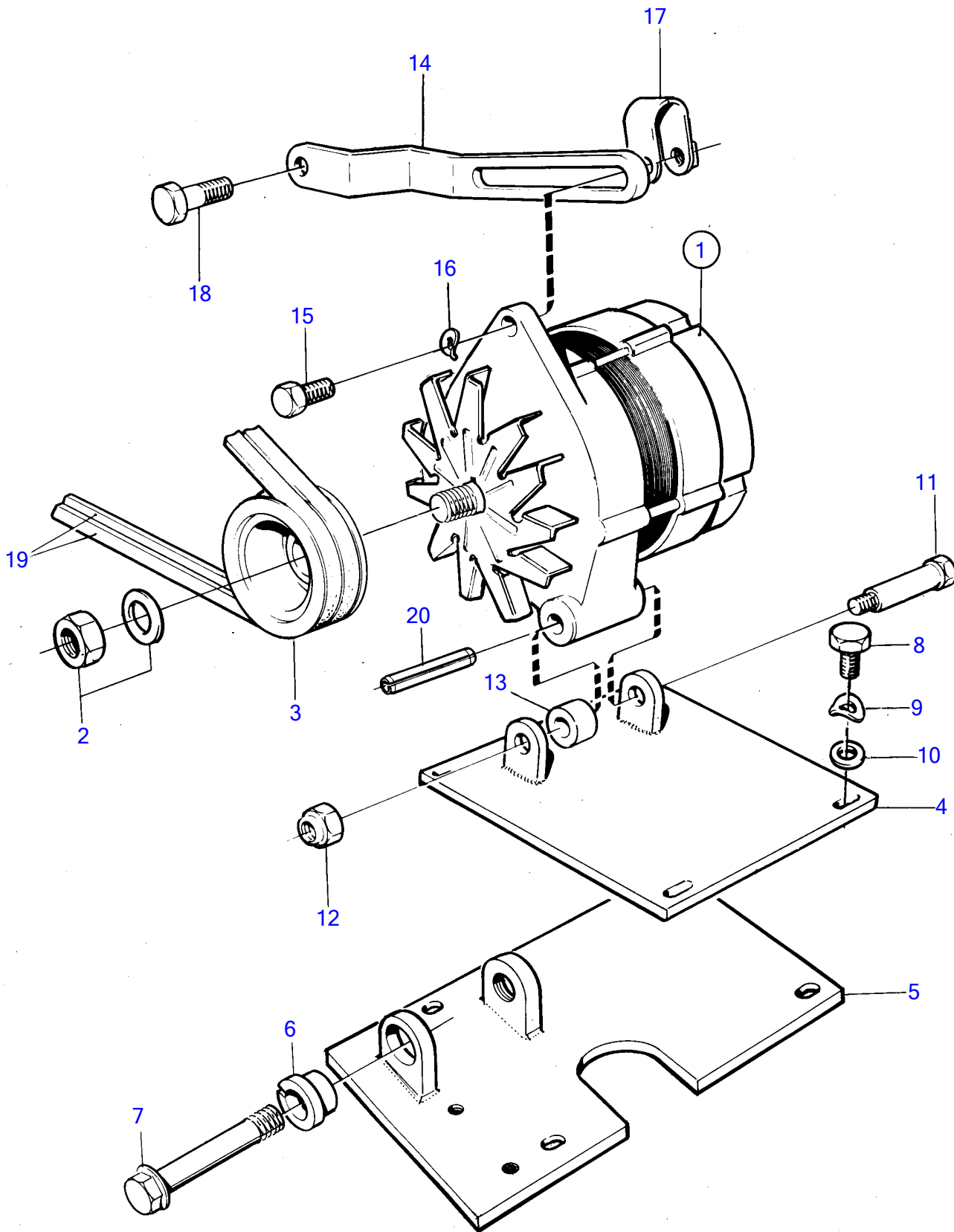


TAMD122A, TMD122A, TAMD122P-A, TAMD122P-B, TAMD122P-C



16776

TAMD122A, TMD122A, TAMD122P-A, TAMD122P-B, TAMD122P-C

REF	PART NO.	QTY	DESCRIPTION	SEE SEC.	NOTES
1	849563	1	Alternator		When reconditioning or when the carbons are to be replaced, use carbon brush kit 876001., SN-1101019500/XXXXXX
			.	1465	
	863955	1	Alternator		28V 60A. for 24 voltage electric system., SN-1101038358/XXXXXX
			• Bulletin 45-02A	45-02A-EN	Alternator
1			.	1383	
	872021	1	Alternator		28V 60A. for 24 voltage electric system., SN1101038359/XXXXXX-
			.	127	
	873771	1	Alternator		(872021)
	3803443	1	Alternator, exch, exch		(872021)
			.	127	
2		1	Mounting kit	127	
3	841812	1	Pulley		
4	823935	1	Bracket		Replaced by 3826075, 1 ea 1675685, 1 ea 966366., Early type
5	3826075	1	Bracket		When later model belt guard is installed. See group 26., Late type
6	1675685	1	Spacer sleeve		When later model belt guard is installed. See group 26., Late type
7	966366	1	Flange screw		When later model belt guard is installed. See group 26., Late type
8	940135	4	Hexagon screw		
9	941907	4	Spring washer		
10	955894	4	Washer		
11	822580	1	Screw		
12	950355	1	Lock nut		
13	912151	1	Spacer ring		
14	846831	1	Tensioner		
15	955298	1	Hexagon screw		
16	941907	1	Spring washer		
17	466735	1	Tensioning eyelet		
18	955536	1	Hexagon screw		
19	966870	1	V-belt		
20	1610144	1	Spring pin		SN1101038359/XXXXXX-